



VB2

Two Position Single Blade



Description

The VB2 is a two position (open/closed) damper with actuator. Standard 24V model includes a capacitor return while the optional 120V model includes a spring return safety mechanism in case of loss of power. 'G' Model includes a Viton seal on damper blade to create a positive seal while damper is in the closed/off position, ensuring no air movement through an off appliance. Available in sizes from 4" ID to 16" ID

Standard Equipment

316L stainless steel construction
Graphite bearings
0-10VDC fast acting 2s modulating actuator
Damper open and closed position end switches

Ordering Matrix

SB2-XX-**.yy
XX = Size - 4-16
** = G (550°F); no letter (1,000°F)
yy + 00 - 24V; 10 - 120V

Construction

20 gauge 316L stainless steel housing and blade
1/2" graphite sealed bearings
'G' Model includes Viton seal on damper blade
'G' Model Leakage Rate .15 CFM @ .5" W.C.

Warranty

Two year mechanical warranty

Application

Chimneys or gas vents serving gas or liquid burning appliances such as Category I, II, III & IV appliances or Building Heating Appliances
Suitable for placement in connectors or common manifold/breechings

Listings and Ratings

UL378, Standard for Draft Equipment
Standard 'G' Model listed up to 550°F for continuous operation
(Optional listed up to 1,000°F for continuous operation)

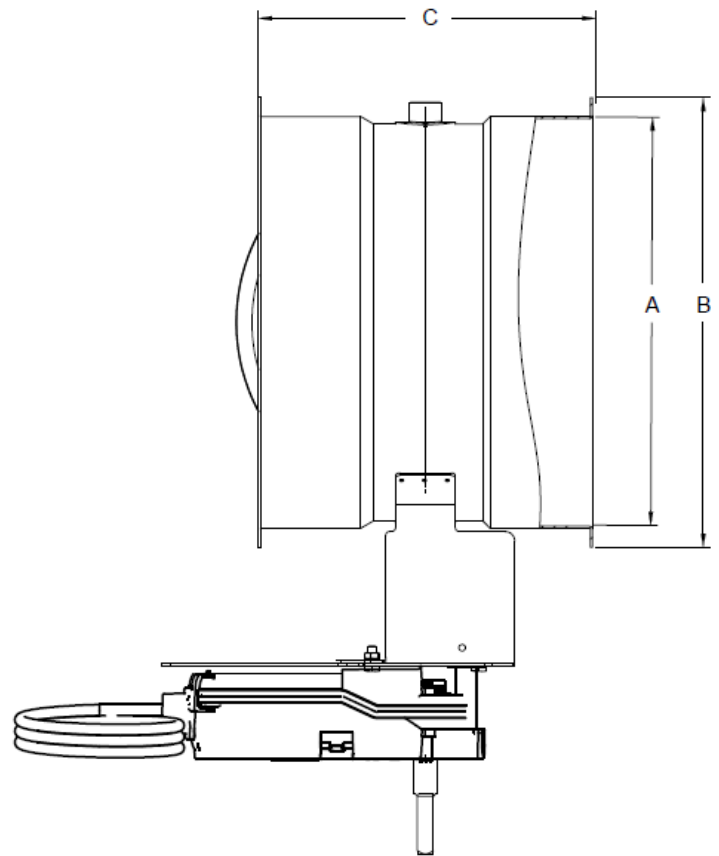
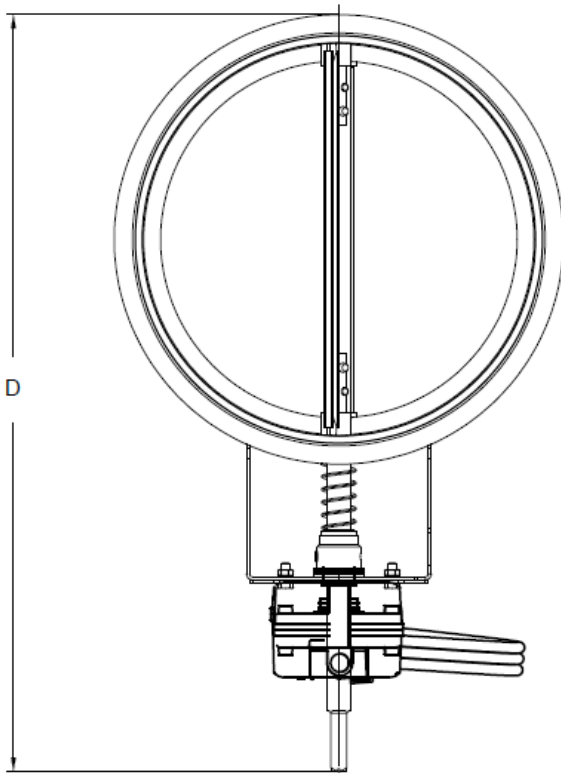
Function

Restricts the flow of flue gas in chimneys and gas vents where excessive negative pressure exists.





Dimensional Information				
Model	A	B	C	D
SB2-04	4"	4-7/8"	6-5/8"	11-1/4"
SB2-06	6"	6-7/8"	6-5/8"	12-7/8"
SB2-08	8"	8-7/8"	6-5/8"	14-7/8"
SB2-10	10"	10-7/8"	6-5/8"	16-7/8"
SB2-12	12"	12-7/8"	6-5/8"	19"
SB2-14	14"	14-7/8"	6-5/8"	21"
SB2-16	16"	16-7/8"	8-5/8"	23"



©2021 All rights reserved. Information may be updated without notice. Visit www.usdraftco.com for the most current information

Manufactured By:
 Vaertis, A Division of RM Manifold Group, Inc
 120 S. Sylvania Avenue, Suite A
 Fort Worth, TX 76111
 Phone: 817-393-4029
www.usdraftco.com

Distributed By:
Z-Flex® US Inc.
 For use in Z-Vent Damper Assembly p/n 2SV(S,D)LLDA
 20 Commerce Park North
 Bedford, NH 03110-6911
 Phone: 603.669.5136 Fax: 603.669.0309 Email:
sales@z-flex.com • www.z-flex.com

Rev 0721.1